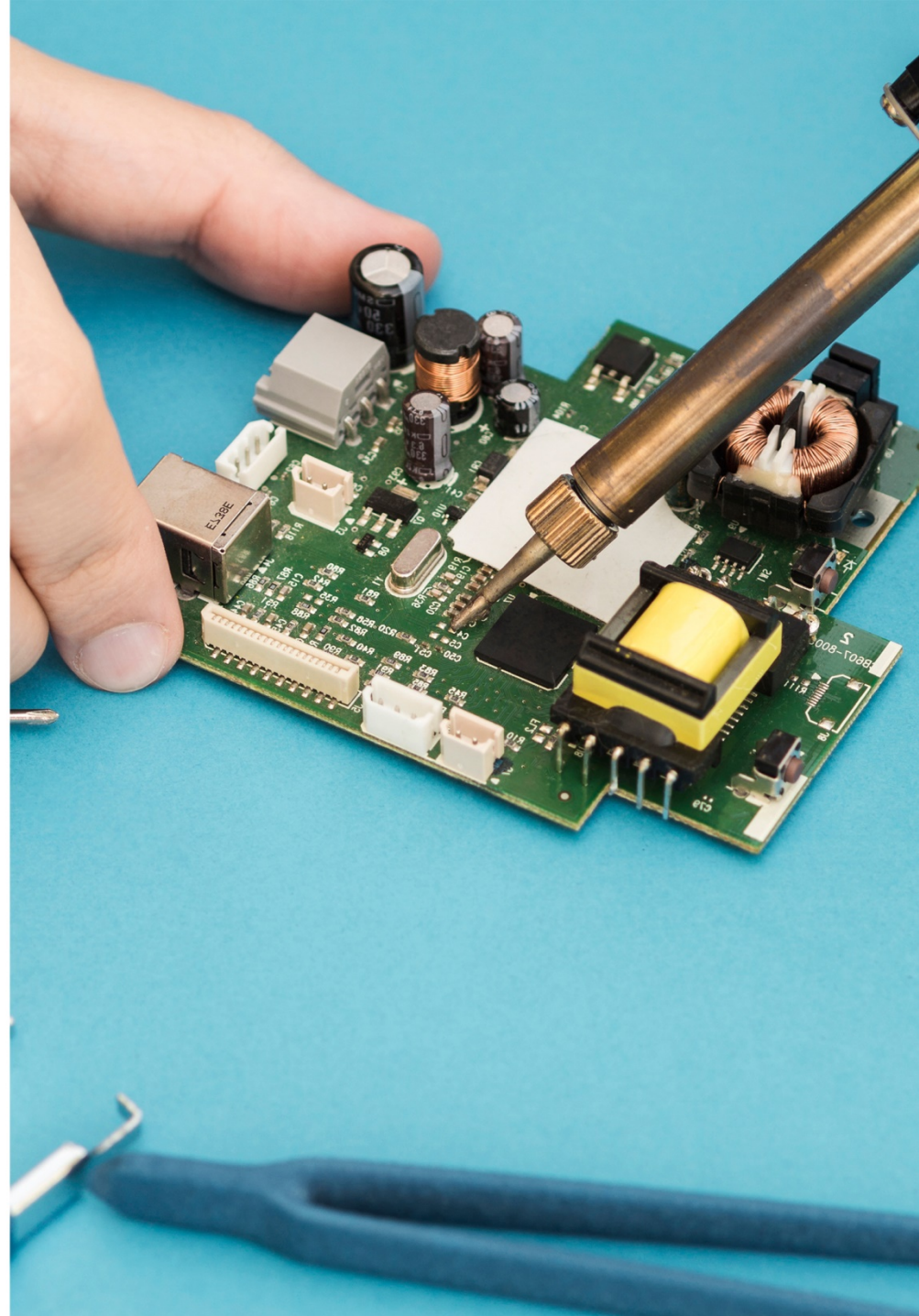


**EMBERTON™**  
INVEST FOR YOUR GUEST.



# CONTENTS

ABOUT US	3
VISION & MISSION STATEMENT	4
OUR DEVELOPMENT	5
OUR PHILOSOPHY	6
PROJECT REFERENCES	7 - 9
OUR SAFETY CERTIFICATIONS	10
BUILDING ON SUCCESS	11
INTELLECTUAL PROPERTY	12
OUR APPLIANCE LINES	13
DESIGN & DEVELOPMENT	14
PRODUCT & QUALITY CONTROL	15
WORLD-CLASS DISTRIBUTION NETWORK	16



# ABOUT US



## 35 years of expertise

Trusted in hotel rooms all over the world.

Emberton is a design and manufacturing company focused on providing electrical appliances and related products of the highest quality to the hotel and hospitality industries.

Emberton was established in London in the 1980's as a supplier of quality hotel products (to British hotels). Building upon the success in Europe, the company expanded its operations across Asia and the Middle East in the 1990's and now, a thoroughly international company, with operations and a client base spread across continents.

Emberton's suite of innovative, safe and superior quality electrical products has won the loyalty of customers across continents. Despite it's success, the brand maintains a relentless focus in finding new ways to create better and safer electrical products.

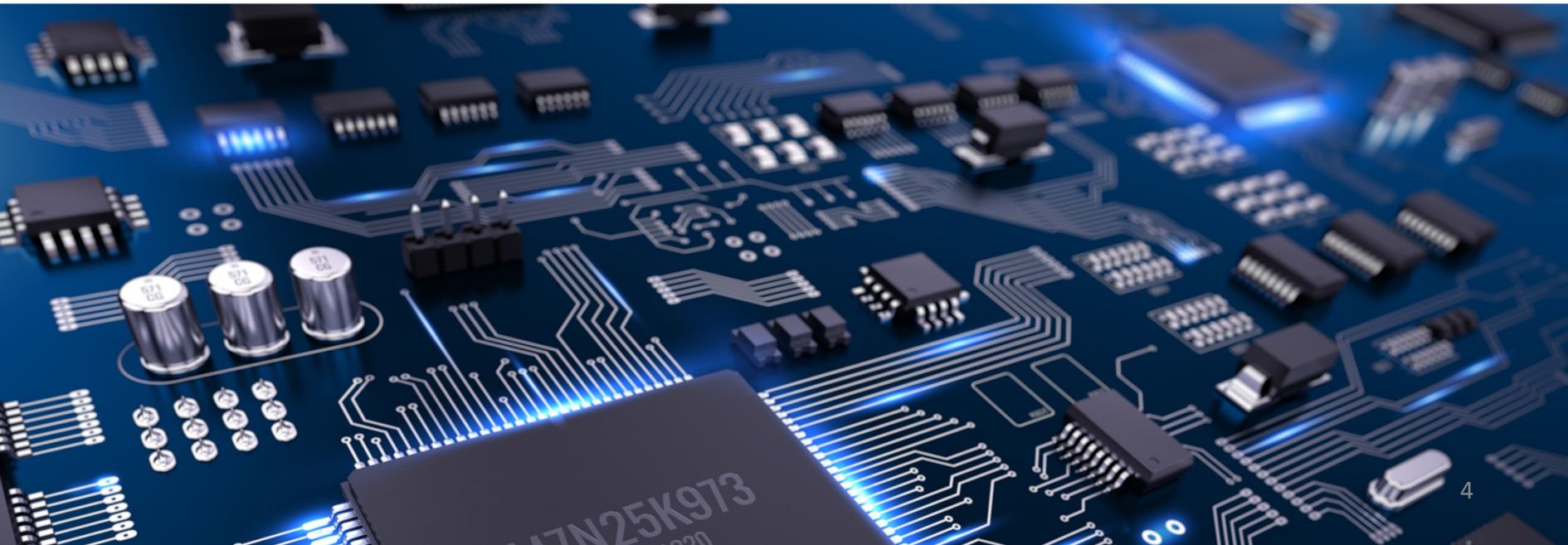
# VISION & MISSION STATEMENT

**“Investing in electrical engineering & technology to improve the safety, reliability & performance of electrical appliances worldwide”**

Be the most competitive and efficient, supported by re-investment and commitment to training, research and quality control infrastructure.

Provide creative, innovative and robust guest products, featuring the latest available technology.

Provide an environment of continual growth, prosperity and improvement for employees, partners and shareholders, whilst ensuring mutual advancement, long term partnerships and benefit for clients and suppliers.



# OUR DEVELOPMENT

**Emberton - a tranquil English village where the founders were brought up.**

**1986**

Emberton's pioneering year of supplying in-room hotel products in London, UK.

**1995**

Establishment of a distribution centre serving the European region, Emberton Europe BV in Rotterdam, Netherlands.

**1996**

Ventured in Asia with operations launched via Emberton Hong Kong and Malaysia.

**2002**

Strengthened presence in Asia with the incorporation of a technical base, testing, and inspection centre in Ningbo, China.

**2010**

Encouraging growth of North American market through Oasis Products LLC, USA, acting as Emberton's import centre.

**2011**

Solidifying technical capabilities through establishment of Emberton's Design & Engineering Centre in New Romney, Kent, United Kingdom.

**Present**

Successful ventures in 80 countries across all continents, with onward focus on innovation and constant pursuit for outstanding technology – efficiently under the Emberton brand.

# OUR PHILOSOPHY

## QUESTION EVERYTHING

We don't design for the hotel industry. We design with them. From initial design to final testing, we submit our products to a panel of experienced hotel and hospitality professionals.

Offering the lessons of decades in the industry, this panel ensures every last detail of every Emberton product is interrogated and questioned to deliver optimum performance.



The result is a suite of Emberton products built to meet the challenges of hotel staff and exceed the expectations of guests. Our Development and Production department have one rule.

*'Question everything. Find new ways of making better products.'*

# PROJECT REFERENCES



Bachleda Residence, Zakopane  
Holiday Inn, Kensington  
Ibis Style Hotel, Warszawa  
Hyatt Place Heathrow Hotel, London  
Ibis Style Hotel, Bucharest  
Hampton by Hilton, Gdansk  
Residence Inn, Kensington  
Residence Inn London Bridge, Bermondsey  
Puro Hotel Group, Warszawa  
Hyatt Regency Hotel, Birmingham  
Holiday Inn Hotel, Stratford  
Arche Hotel Group, Warszawa  
K West Hotel and Spa, London  
Staybridge Suites, Stratford

Diament Hotel Group , Katowice  
Nosalowy Park , Zakopane  
Starwood Apartment Earls Court, London  
Staycity Apartment , Manchester  
Novotel Hotel, Warszawa  
Hampton by Hilton, Gdansk  
PGU Uzdrowiska, Polczyn Zdroj  
Hidden Hotel, Paris  
Green Mountain, Karpacz City  
Best Western, Jurata  
Hampton by Hilton, Lublin  
Double Tree by Hilton, Warszawa  
Sofitel Hotel , Warszawa

# PROJECT REFERENCES



Crowne Plaza Fudan, Shanghai  
St. Regis Hong Kong  
Quest Hotel, Cebu  
Traders Hotel, Kuala Lumpur  
Crimson Hotel, Mactan, Philippines  
Courtyard by Marriot, Penang  
Sofitel Saigon Plaza, Ho Chi Minh  
Hilton Opera Hanoi  
The Parisian Macao  
Londoner Macao, Cotai Strip  
W Hotel, Kuala Lumpur  
Swiss Garden Hotel Group, Kuala Lumpur  
Sands Macao, Largo de Monte Carlo  
InternContinental Saigon, Ho Chi Minh  
Resort World, Genting Highlands  
Four Points Hotel, Penang  
Rosewood Hong Kong, Tsimshatsui  
F1 Hotel BGC, Metro Manila  
Renaissance Riverside Saigon, Ho Chi Minh  
JW Marriott Hanoi  
Travelodge Hotel, Penang  
Grand Lapa Macao  
EQ Hotel, Kuala Lumpur  
Movenpick Hotel, Kuala Lumpur  
Grand Millenium Hotel, Kuala Lumpur  
InterContinental Phu Quoc Long Beach Resort, Phu Quoc

Grand Hyatt Macao  
Melia Hotel, Kuala Lumpur  
Parkroyal Group of Hotels, Kuala Lumpur  
Intercontinental Hotel, Kuala Lumpur  
Villa Gold 3+4, Ninh Binh  
Caravelle Saigon Hotel, Ho Chi Minh  
Ocean Villas\_Danang, Danang  
Doubletree Hotel, Kuala Lumpur  
Inside By Melia Saigon, Ho Chi Minh  
Kerry Hotel, Hung Hom  
Novotel Ha Long, Quang Ninh  
Hilton Hotel, Kuala Lumpur  
Pulman Hotel, Kuala Lumpur  
Dusit Princess Moonrise Phu Quoc, Phu Quoc  
Grand Dorset Hote, Kuala Lumpur  
L'Azure Resort and Spa, Phu Quoc  
Hanoi Hotel, Hanoi  
Crimson Alabang, Cebu  
Four Seasons, Karnataka  
Conrad Hong Kong, Admiralty  
Four Seasons, Macao  
Ovolo Group, Central  
Four Points Chinatown, Kuala Lumpur  
Wolo Hotel, Kuala Lumpur



# PROJECT REFERENCES

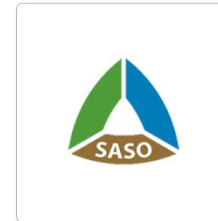
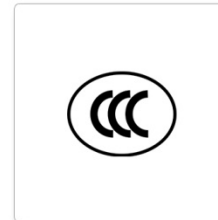


St.Regis Polo, Dubai  
Bulgari Hotel, Dubai  
Armani Hotel, Dubai  
Swiss-Bellin, Muscat  
Grand Hyatt, Muscat  
St Regis Hotel, Dubai  
Westin Hotel, Dubai  
W Hotel, Dubai  
Five Hotels, Dubai  
Dukes Dubai  
Crowne Plaza, Doha  
Pyramid Continental Hotel, Juba, Sudan  
Holiday Inn – The Business Park, Doha  
Kempinski Gold Coast City, Ghana

Metropolitan Hotel, Dubai  
Millennium Place, Dubai  
Habtoor Grand, Dubai  
Earl's Regency, Kandy  
Intercontinental, Doha  
Airport Garden Hotel, Colombo  
Cinnamon Lakeside, Colombo  
Ellaidhoo by Cinnamon, Maldives  
Viceroy Palm Hotel, Dubai  
Waldorf Astoria Palm, Dubai  
Crowne Plaza Hotel, Dubai

# OUR SAFETY CERTIFICATIONS

**SAFETY IS OUR PRIORITY**  
World Standards



# BUILDING ON SUCCESS

## Growing The Global Brand

Emberton's growth has been an incredible story. The drive and desire to be better, for perpetual improvement, remains part of Emberton's DNA.

From training, to production and testing facilities, we continually re-invest in our people and our products. Relying on the principles and energy that have driven the brand's success so far, Emberton looks to the future with full of confidence.



# INTELLECTUAL PROPERTY

EMBERTON™

**PATENTS &  
REGISTERED DESIGNS**



**TOUGH BOARD** - Rugged & Durable; We have combined a rugged frame with heavy duty metal components and robotic welds to withstand guests' tough use.



**DUAL SAFE** - an organic, thermo-sensitive material, remarkably sensitive to abnormally high temperatures. Upon sensing critical heat levels, DUAL SAFE activates and the electrical current will be interrupted immediately and permanently.



**WATER TANK TECHNOLOGY** - Special anti-fracture water tank welding technique ensures a permanent seal to prevent water leakage.

# OUR APPLIANCE LINES

Product Examples:



**IRONING BOARDS**



**KETTLES**



**HAIRDRYERS**



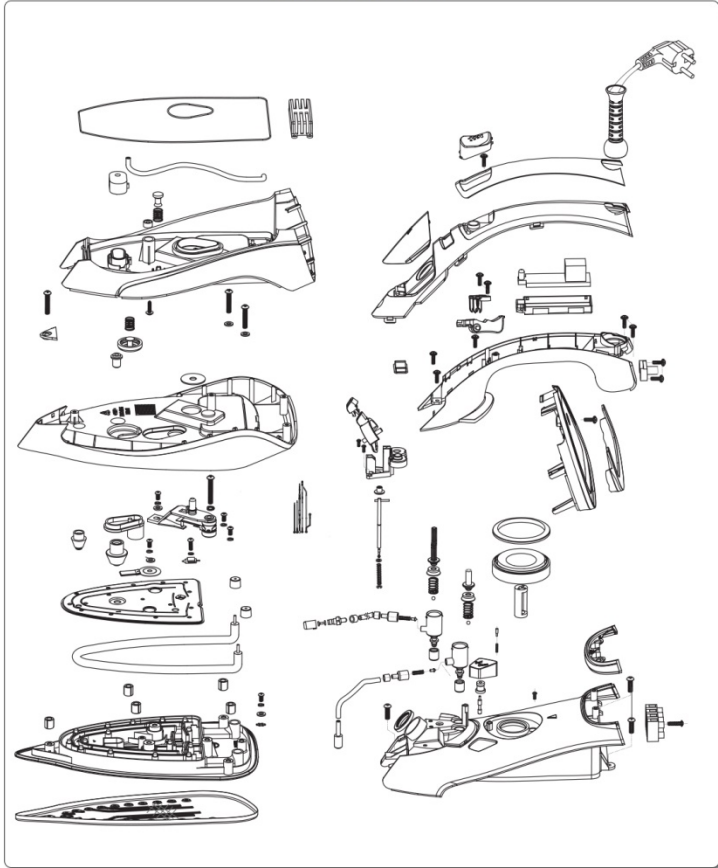
**STEAM IRONS**



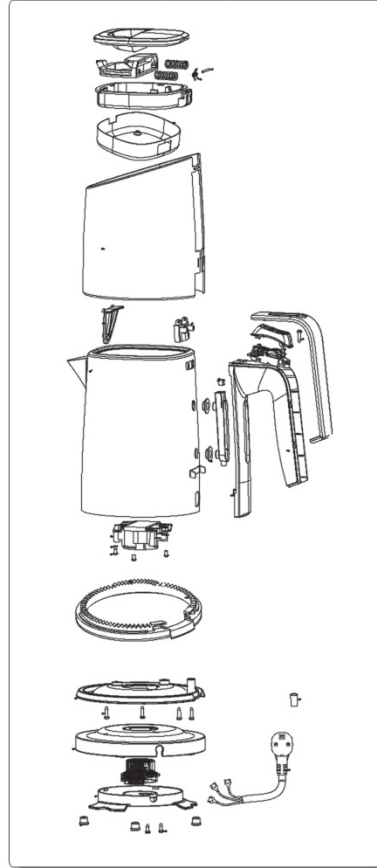
**WELCOME TRAYS**

# DESIGN & DEVELOPMENT

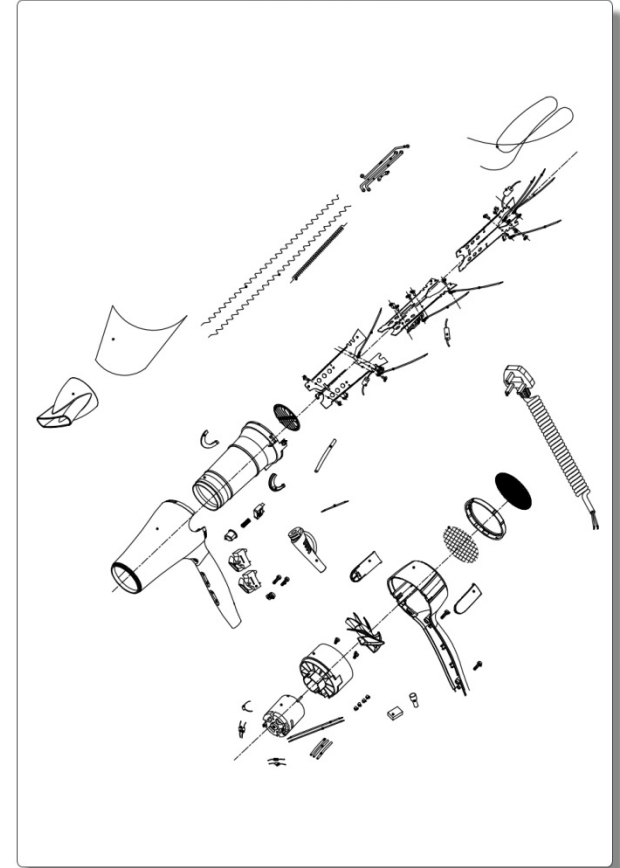
## STEAM IRON



## KETTLE



## HAIRDRYER



# PRODUCT & QUALITY CONTROL

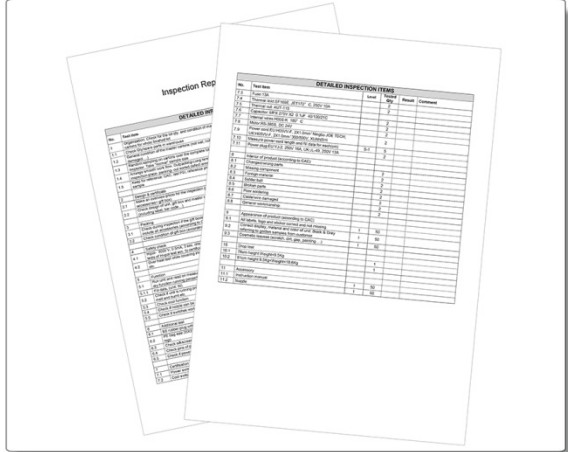
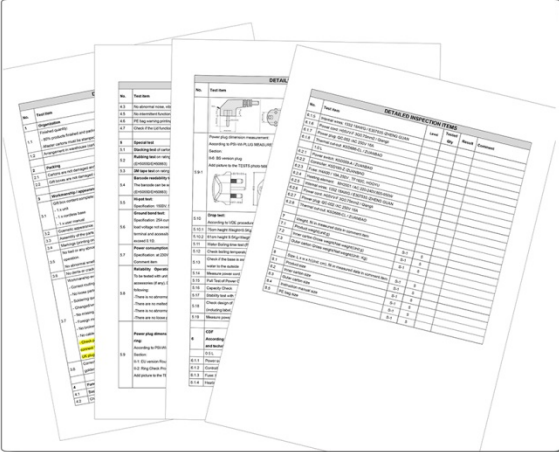
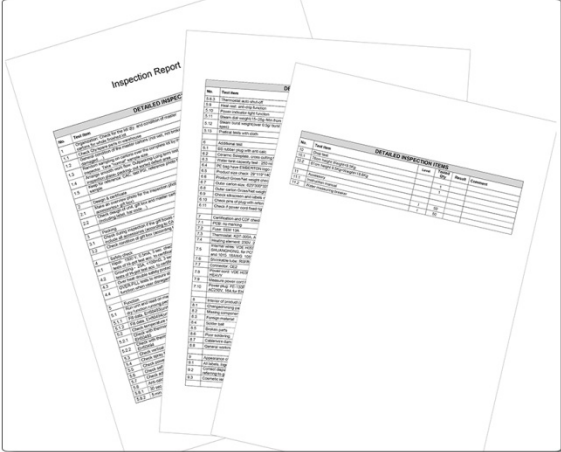
## STEAM IRONS



## KETTLES



## HAIRDRYERS



# GLOBAL DISTRIBUTION



# CONTACTS

## United Kingdom

Mountfield House, Mountfield Industrial Estate,  
Mountfield Road, New Romney, Kent TN28 8LH,  
England, United Kingdom.

Tel: (44) 1797 361256      Fax: 01797 366722  
info@emberton.com

## Hong Kong

Suite 811, Tsimshatsui Centre, East Wing,  
66 Mody Road TST East Kowloon,  
Hong Kong

## Malaysia

19, Medan Istana 2, Bandar Ipoh Raya,  
30000 Ipoh, Perak, Malaysia

## China

ZhongYang DaSha 19 # Shuimen South Road Cixi,  
Ningbo, China PC



**EMBERTON™**

Click for products : <https://emberton.com/catalogue>